

Technical data

CODE:

541623

PRODUCT:

LED MODULE DPW-3-C

NOTE:

TECHNICAL DATA

IMAGE:**LAST UPDATE:**

10/2021

LED MODULE DPW-3-C

CE	RoHS	5 SDCM	3 LEDS	0,72 W	DC 12V	IP 67	5 years
-----------	-------------	---------------	---------------	---------------	---------------	--------------	----------------

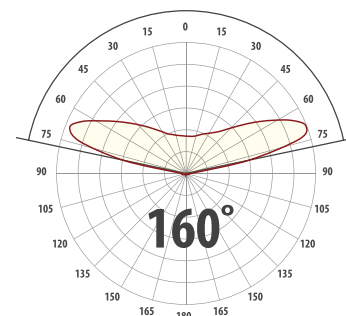
Model DPW-3-C

3 pcs LEDs provided by Samsung

Key features and benefits:

- Channel letters and box signs > 80 mm
- Cable hiding technology (Patent pending)
- Efficient circuit design (Patent pending)
- Clean white technology
- Constant voltage

BEAM ANGLE



Model	DPW-3-C
LED color	6 500 K
Lumen	74
Lumen/Watt	102
Beam angle	160°
Operating temperature °C	-30 ~ +60°C
Storage temperature °C	-30 ~ +60°C
Body material	Bottom: ABS Optics: Polycarbonate
Finishing	Ultrasonic welding
Lead wire	Tin coated copper wire
Lifetime Tm21	> 60 000 hours
Adhesive tape	Orafol
Strip size	50 modules per strip
Modules / M	5

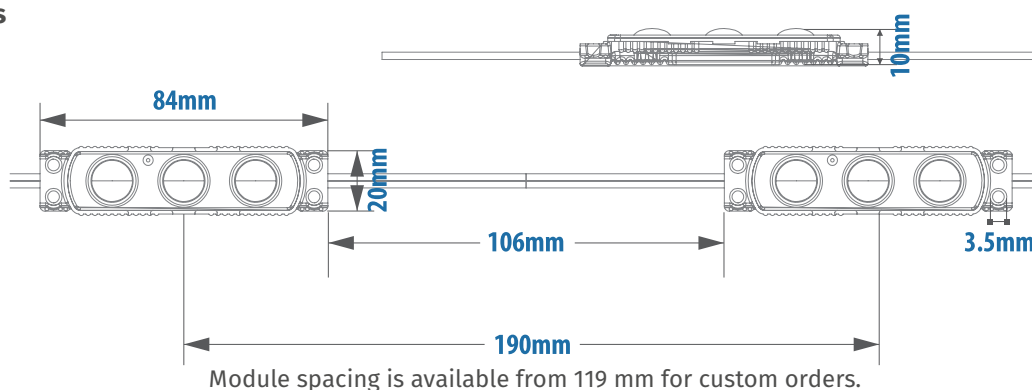
Notes:

Luminous flux tolerance: ± 10%
CCT tolerance: ± 8%

Suggested applications:

- Lightboxes depth > 80 mm
- Channel letters
- Fabric lightboxes
- Stretched ceiling backlighting
- Cove lighting
- Undershef lighting

Dimensions



Density guide

CAN DEPTH	COVERAGE - SINGLE ROW	MOD / M	COVERAGE - MULTIPLE ROW	MODULES / M ²
80 mm	203 mm	6,6	150 mm	44
100 mm	308 mm	5	200 mm	25
120 mm	355 mm	5	250 mm	20

Quantities are subject to change according to materials used and required light amount at the sign face.