

Technical data

CODE: 542433 / 543433 / 544433 / 548433

PRODUCT: LED MODULE D170-3

NOTE: TECHNICAL DATA

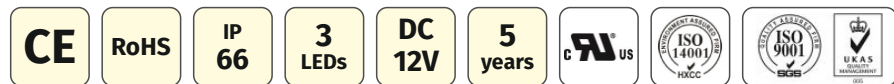
IMAGE:



LAST UPDATE:

2/2024

LED MODULE D170 - 3



Model D170-3

Backlighting Wide - monicolor

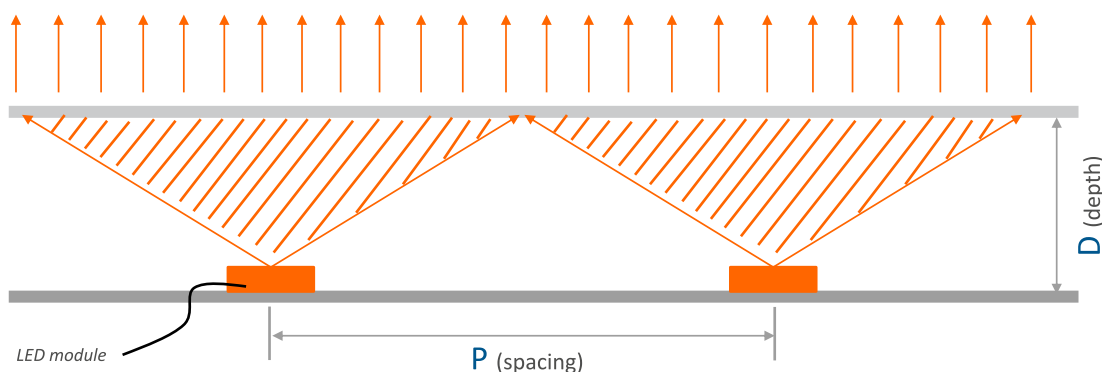
Areas of application

- Signage and illuminated advertising
- Backlighting of channel letters and light box
- Best for 50 mm to 200 mm depth

Product main benefits:

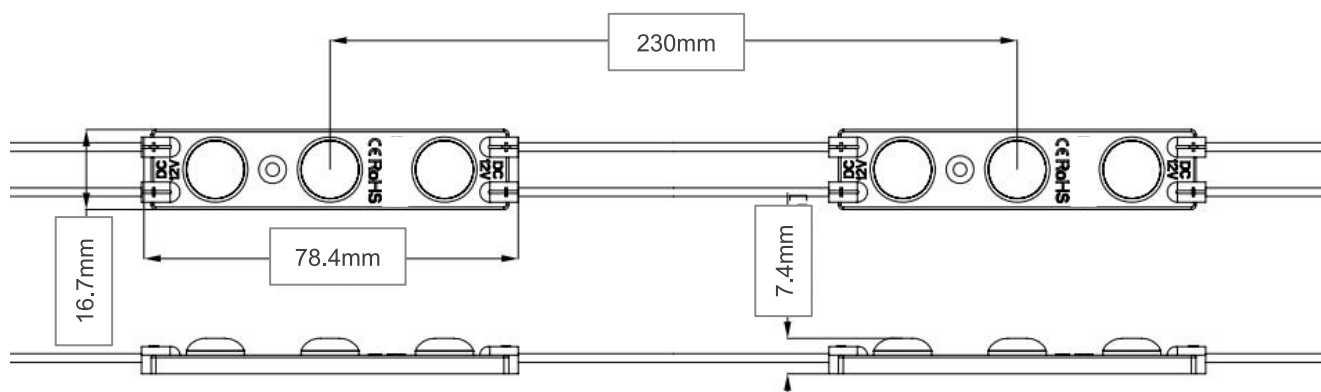
- Classic optic lens design for good uniformity application performance
- IP66
- 5 years warranty - (including 6 months extended - the extended warranty also covers additional installation costs up to 3 times the value of the claimed LED modules)

Optical technology



$$\text{optical performance proportion} = \frac{D \text{ (depth)}}{P \text{ (spacing)}} = 1:2,5$$

- The proportion of "P" and "D" can show the performance of lens optics design
- The bigger proportion, the wider light spot
- The proportion is for reference from lab, actual layout need based on real application



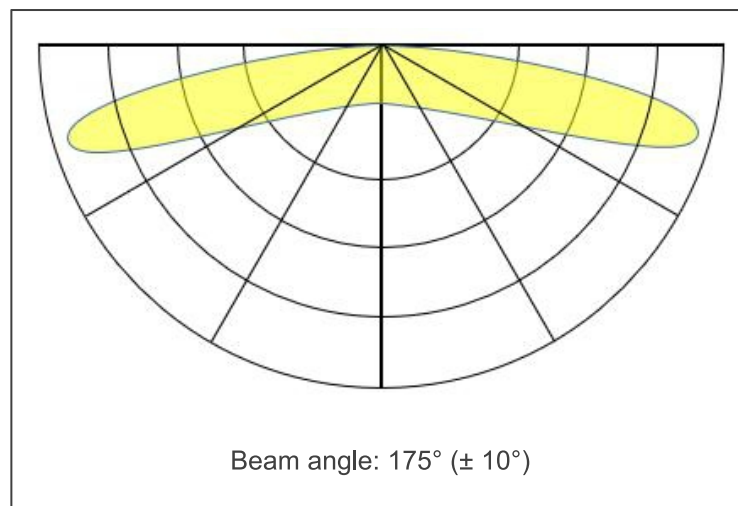
| Product color | Code | Wavelength | Voltage | Energy consumption | | | Brightness | | | Cascade |
|---------------|--------|------------|---------|--------------------|---------|-------|------------|--------|--------|---------|
| | | | | W/module | W/chain | W/ft. | lm/module | lm/ft. | E. LPW | |
| RED | 542433 | 620~630nm | 12 VDC | 0,72 | 20 | 1.0 | 29 | 38 | 40 | 20 |
| GREEN | 548433 | 520~530nm | 12 VDC | 0,72 | 20 | 1.0 | 60 | 79 | 83 | 20 |
| BLUE | 543433 | 460~470nm | 12 VDC | 0,72 | 20 | 1.0 | 14 | 19 | 20 | 20 |
| YELLOW | 544433 | 585~595nm | 12 VDC | 0,72 | 20 | 1.0 | 19 | 25 | 26 | 20 |

Constant voltage design, the tolerance of all parameters data is ± 10%

Application conditions and light distribution

| | |
|-------------------------------------|--|
| Operating Environment (t_a) | -25°C to +55°C |
| Storage temperature range (t_s) | -40°C to +85°C |
| IP Rating | IP66 |
| Lifetime warranty (L70B50) | 5 years |
| t_c temperature | 70°C |
| Dimming mode | PWM dimmable |
| Cutting solution | Cut on wire between every module |
| Certification | CE, BIS |
| Safety requirements | IEC/EN 62031, IEC/EN 60598-1, IEC/EN 61347-1 |

Distribution graph



Additional information

- Installation of LED modules (with power supplies) needs to be made under consideration of all valid regulations and norms.
- Installation by qualified electrician only.
- Parallel connection is mandatory for safe electrical operation. Serial connection of LED modules is discouraged. Unbalanced voltage drop in serial connection can cause hazardous overload.
- Electrical contact is achieved with the contact cables or the terminals of the module. Please refer to the technical data for maximum number of LED modules that can be operated on one control gear.
- To avoid mechanical damage, the LED modules have to be attached securely to the intended mounting surface. It is recommended to avoid heavy vibration.
- LED modules are dimmable by means of PWM (pulse width modulation).

Wiring method

