

Technical data

CODE:

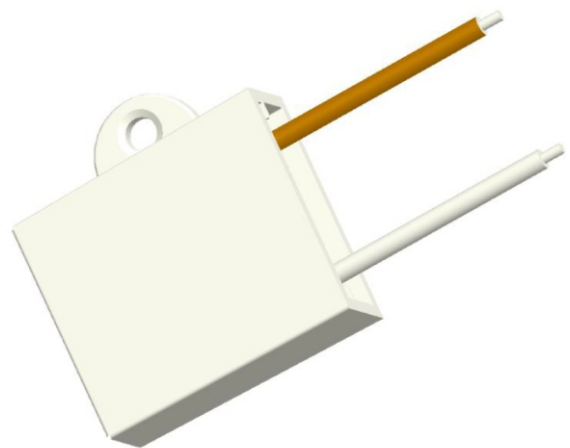
80720

PRODUCT:

SIMPLE SURGE PROTECTOR

NOTE:

TECHNICAL DATA

IMAGE:**LAST UPDATE:**

1/2022



SIMPLE SURGE PROTECTOR

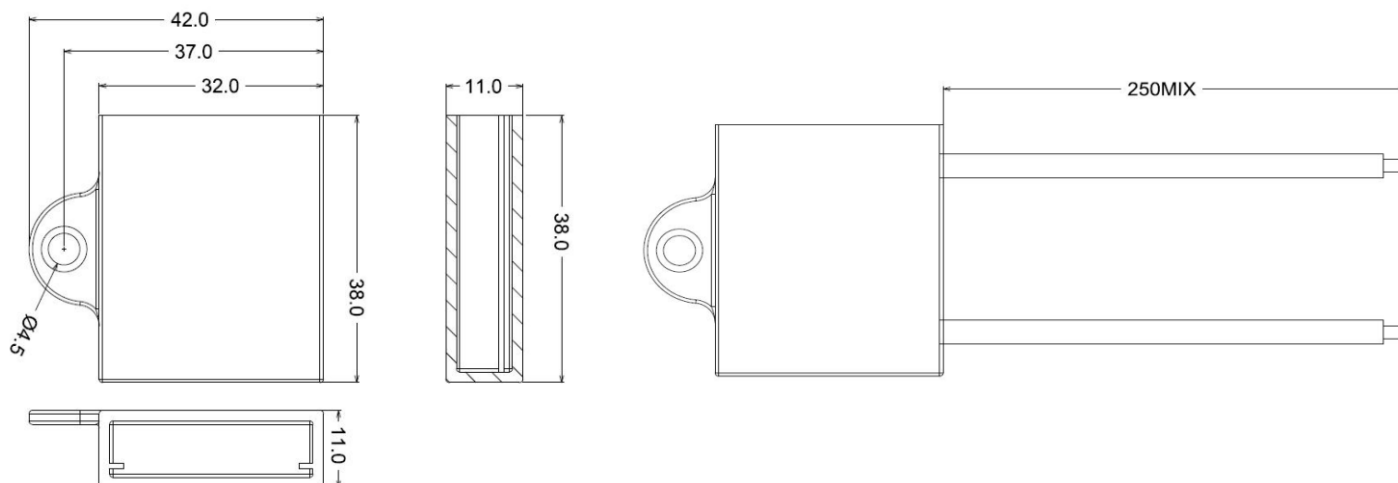
Description

Using high-energy varistor, fast response, strong absorption capacity, strong surge suppression ability, etc.
 Mains input range 100V-264VAC 50Hz/60Hz power supply
 The appearance is simple and easy installation
 With fire-resistant material, UL94V-1 and Ip68 waterproof

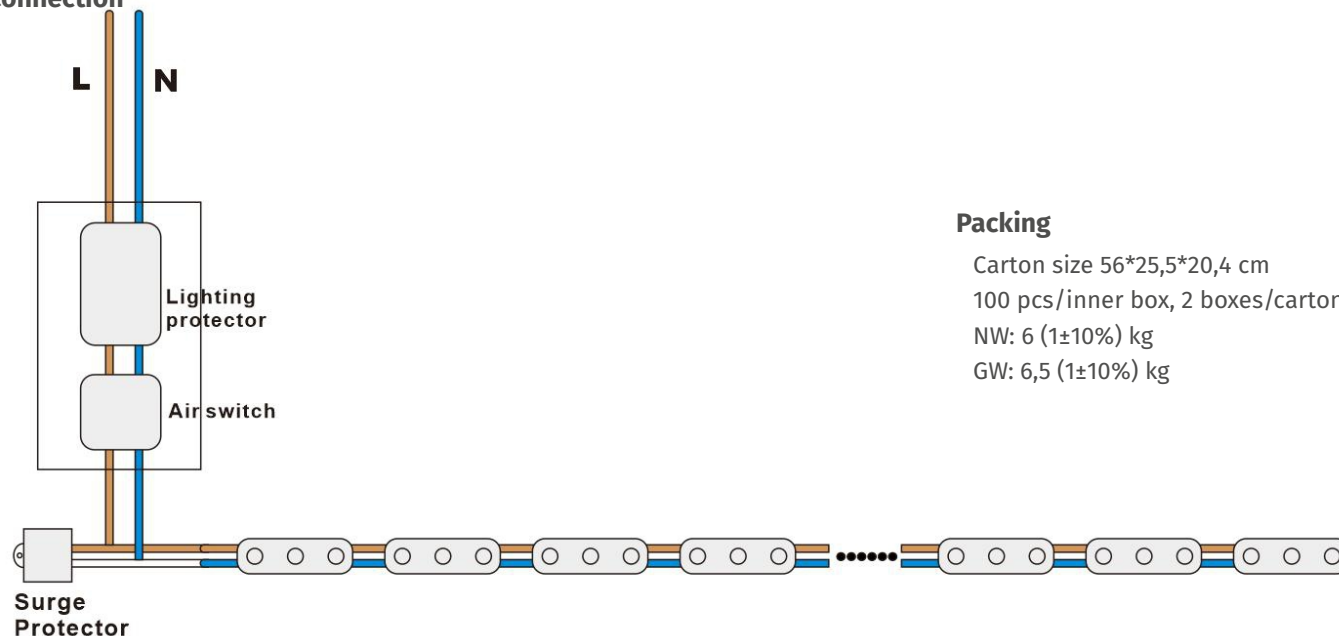
Parameter

Input Volt.	AC100-264V 50Hz/60Hz
Power	500W
Residual Volt.	MFL8012 470V
Strength	3500 KV 25times shock
IP	Ip65
Dimension	42*38*11 mm
Color	White PVC
Cable	Double skin cable (AWG18)
GW	30g
Fixing	M3 screw
Working Temp.	-20~55°C
Storage Temp.	-25~70°C

Dimensions (mm)



Connection



Packing

Carton size 56*25,5*20,4 cm
 100 pcs/inner box, 2 boxes/carton
 NW: 6 (1±10%) kg
 GW: 6,5 (1±10%) kg