

Technical data

CODE:**PRODUCT:**

LED MODULE OM3

NOTE:

TECHNICAL DATA

IMAGE:**LAST UPDATE:**

1/2023

LED MODULE OM3

CE	RoHS	3030 SMD	3 LEDs	DC 12V	IP 65	5 years
-----------	-------------	-----------------	---------------	---------------	--------------	----------------

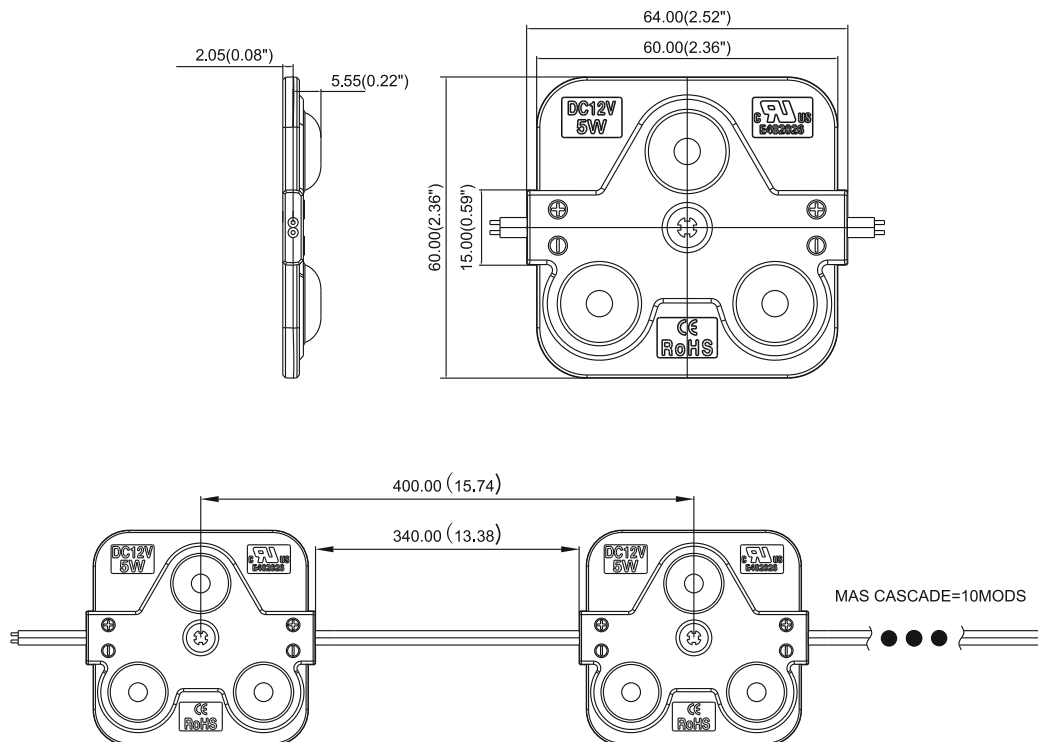
Model OM3

Description:

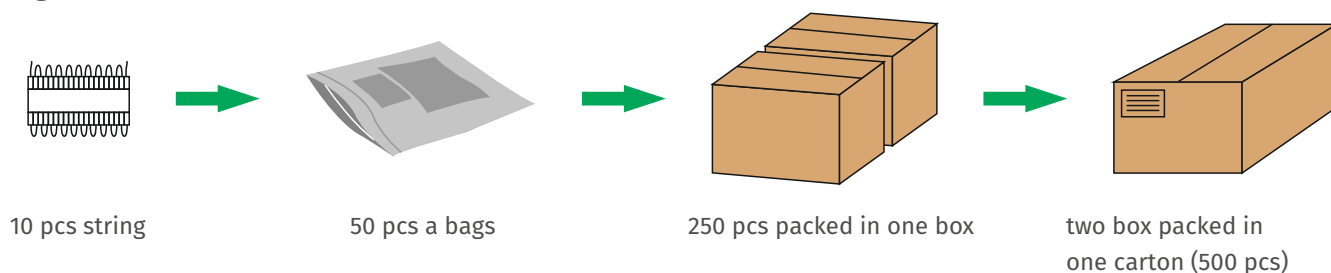
- SMD 3030
- IP65
- Beam angle for 170°
- PVC injection
- UL/FCC/CE/RoHS approved
- Constant current, 5 years warranty
- Suitable for advertising light boxes

Parameters of product	Om3
Dimension	64 x 60 x 7,6 mm
Power (W)	5 (±10%)
Driving mode	Constant Current
CCT (K)	3000/6500
Luminous flux (lm)	450/500
Efficiency (lm/W)	90/100
Concatenation (pcs)	10
60W Power Supply Load (modules)	10
Working temp (°C)	-30 ~ +60
Storage temp (°C)	-40 ~ +80

Profile drawings

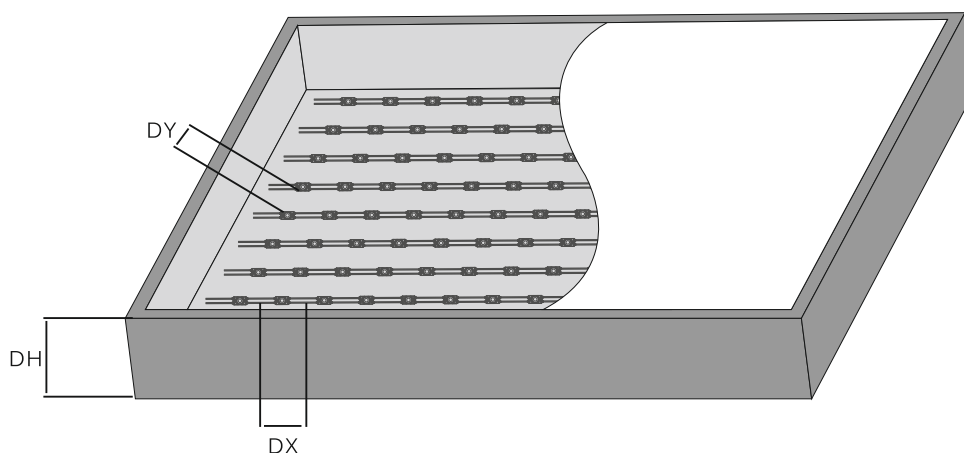


Package



Size (mm)	Gross Weight (kg)	Net Weight (kg)
530 x 375 x 275	18,1	14,8

Installation



Light box thickness DH (mm)	Module horizontal distance DX (mm)	Module vertical distance DY (mm)	Modules average in 1m ² (pcs/m ²)	Surface illumination (lux)
100 ~ 150	400	300	9	1200